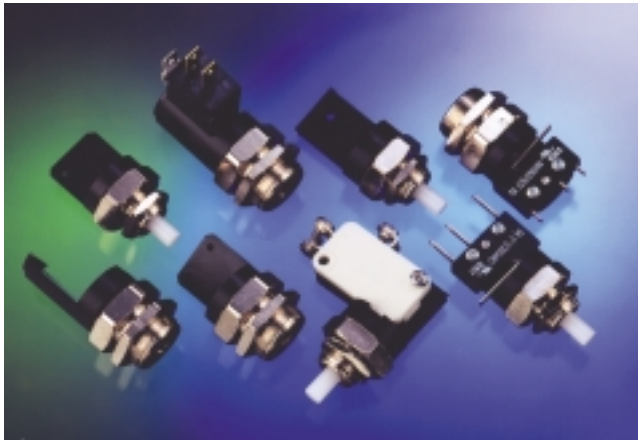




# PRESSURE ACTUATED SWITCHES



**Medium:** Air

**Inlet Pressure:** 5 - 150 psig; 0.3 - 10.3 bar

**Pilot Port:** #10-32, 1/8" NPT, M5

**Mounting:** External thread and nut for panel, bracket, or bulkhead mounting,  
5/8 - 32 pressure actuated  
15/32-32 manually operated

**Accuracy:** Actuation and deactuation pressures listed are nominal values. Each has a tolerance of  $\pm 12\%$  or 1 psig whichever is greater



**SAS** Sub-Miniature Air Switch  
**MAS** Miniature Air Switch

**Design Series**

**Switch Current Rating:**

**SAS**

**A** 5A @ 125/250 VAC

**3A** @ 30 VDC/.1A 60 VDC

**X** no switch

**MAS**

**B** 3A @ 125/250 VAC

**3A** @ 30 VDC

**C** 10A @ 125/250 VAC

**5A** @ 50 VDC

**X** no switch

**Switch Terminals:**

**SAS: 0** no switch

**1** 110 series Q.C.

**MAS: 0** no switch

**2** 187 series Q.C.

**3** screw terminals

**Actuation Pressure\***

**06** 6 psig/0.4 bar

**20** 20 psig/1.4 bar

**40** 41 psig/ 2.8 bar

**65** 65 psig/4.5 bar

**MN** Manual

**Deactuation Pressure\***

**06** 5 psig/0.3 bar

**20** 18 psig/1.2 bar

**40** 36 psig/2.5 bar

**65** 58 psig/ 4.0 bar

**MN** Manual

**Inlet Port:**

**Blank** #10-32 thd

**F** 1/8" NPT female

**P** 1/8" NPT male

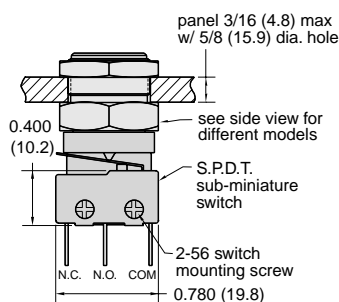
**M5** M5 x 0.8 thd

\*Nominal value +/- 12% or 1psi, whichever is greater when used with Clippard switches

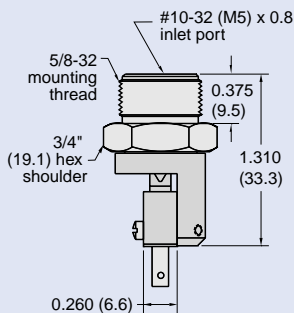
Pressure Actuated

Mechanically Actuated

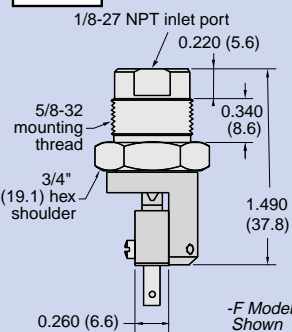
## SAS Model



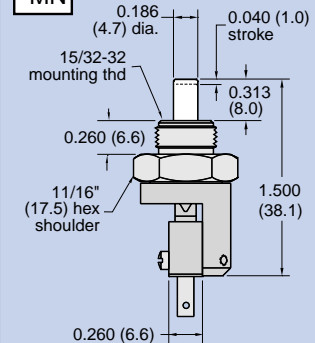
### STD. & -M5



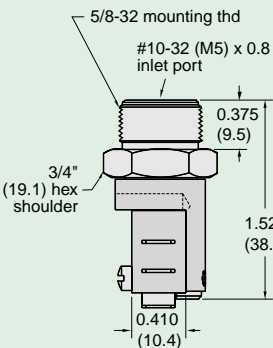
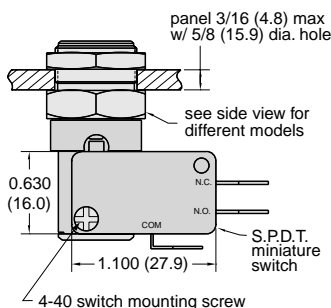
### -F & -P



### -MN



## MAS Model



### -F & -P

